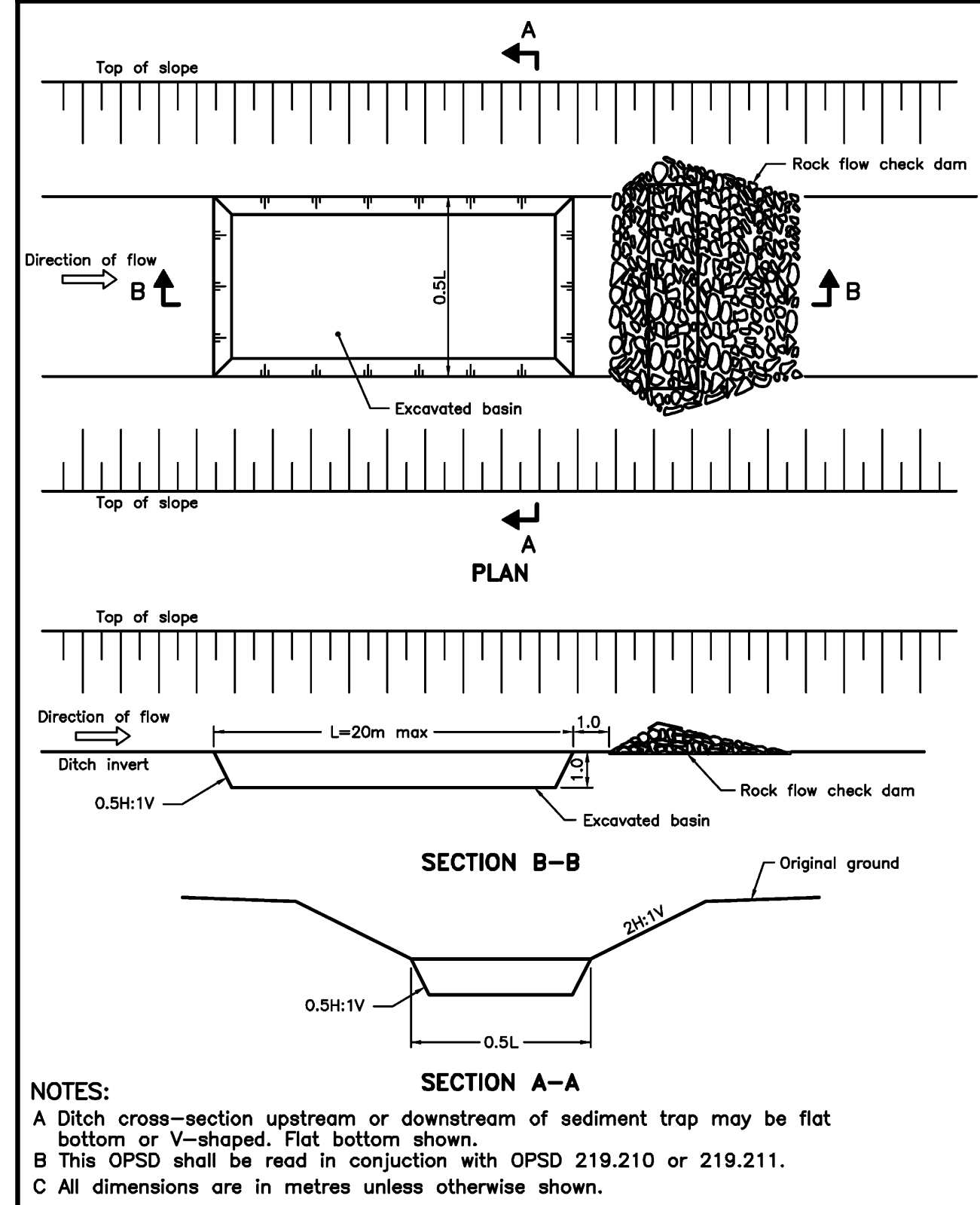
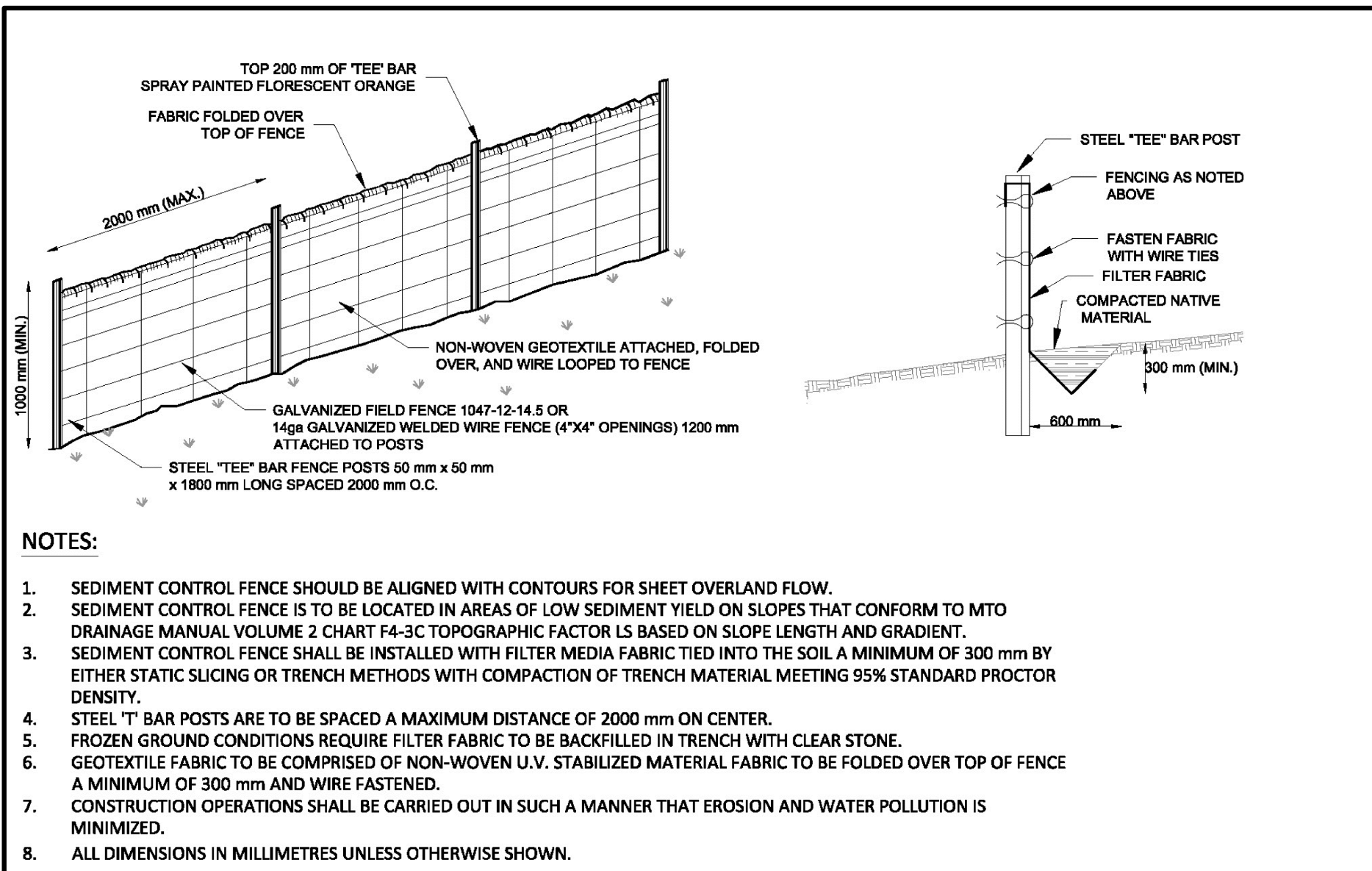


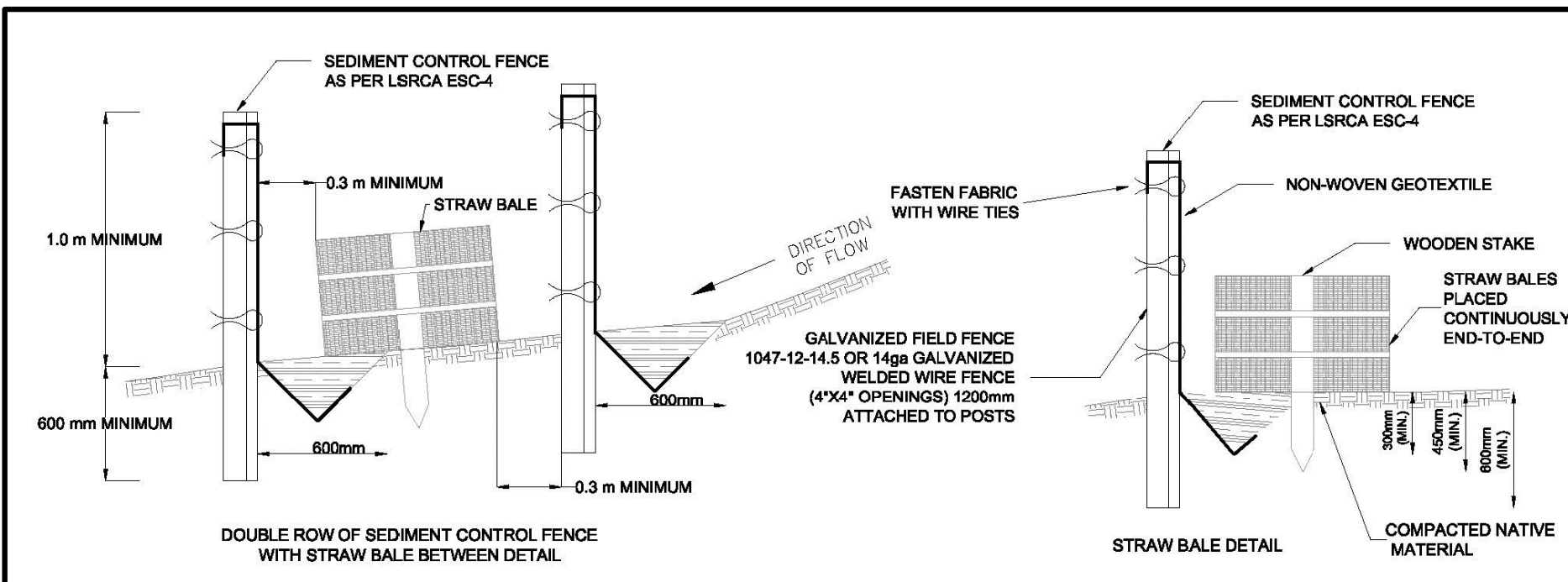
TEMPORARY SEDIMENT TRAP N.T.S.



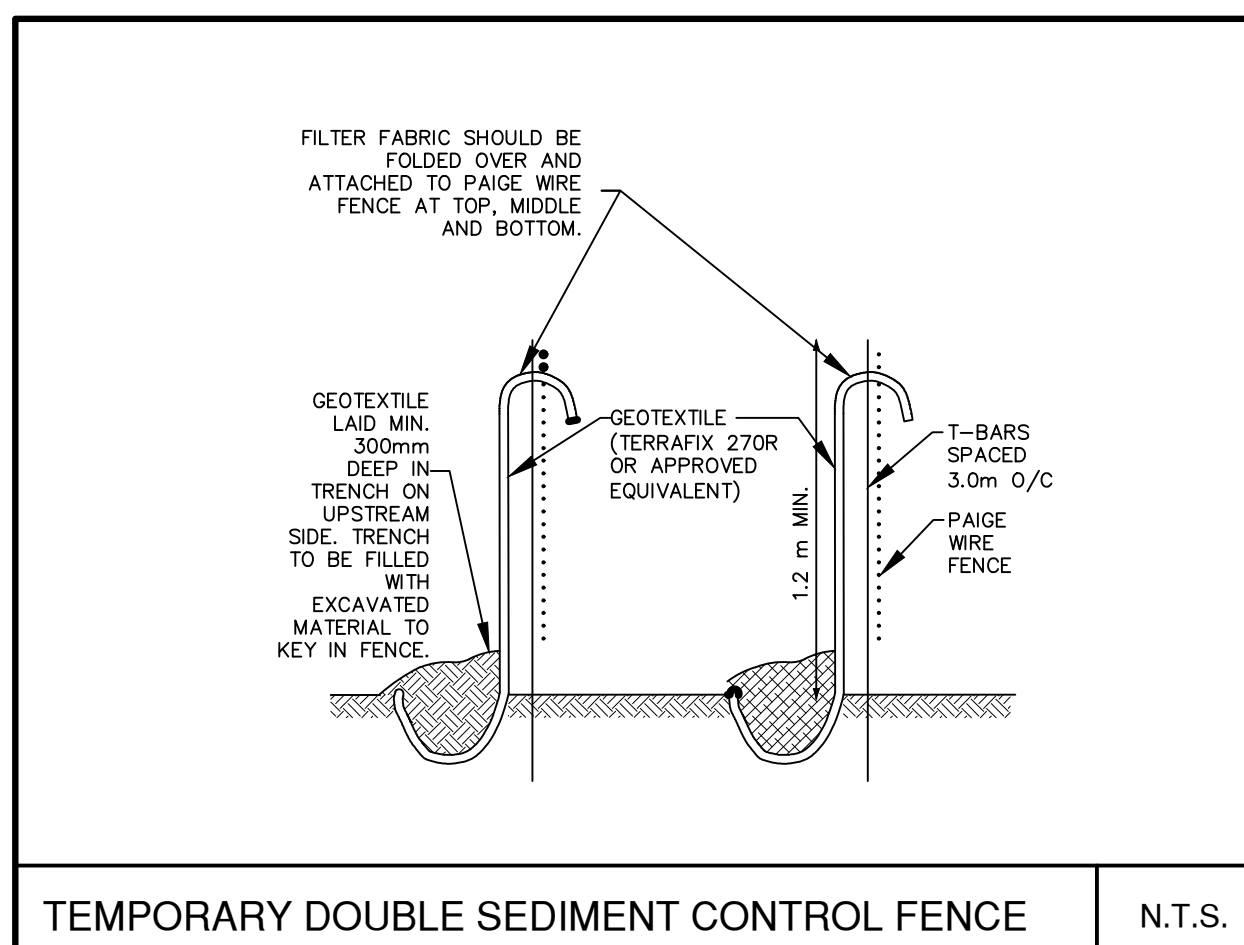
SEDIMENT TRAP IN DITCH OPSD 219.220



SEDIMENT CONTROL FENCE LSRCA ESC-4



DOUBLE ROW SEDIMENT CONTROL FENCE LSRCA ESC-5

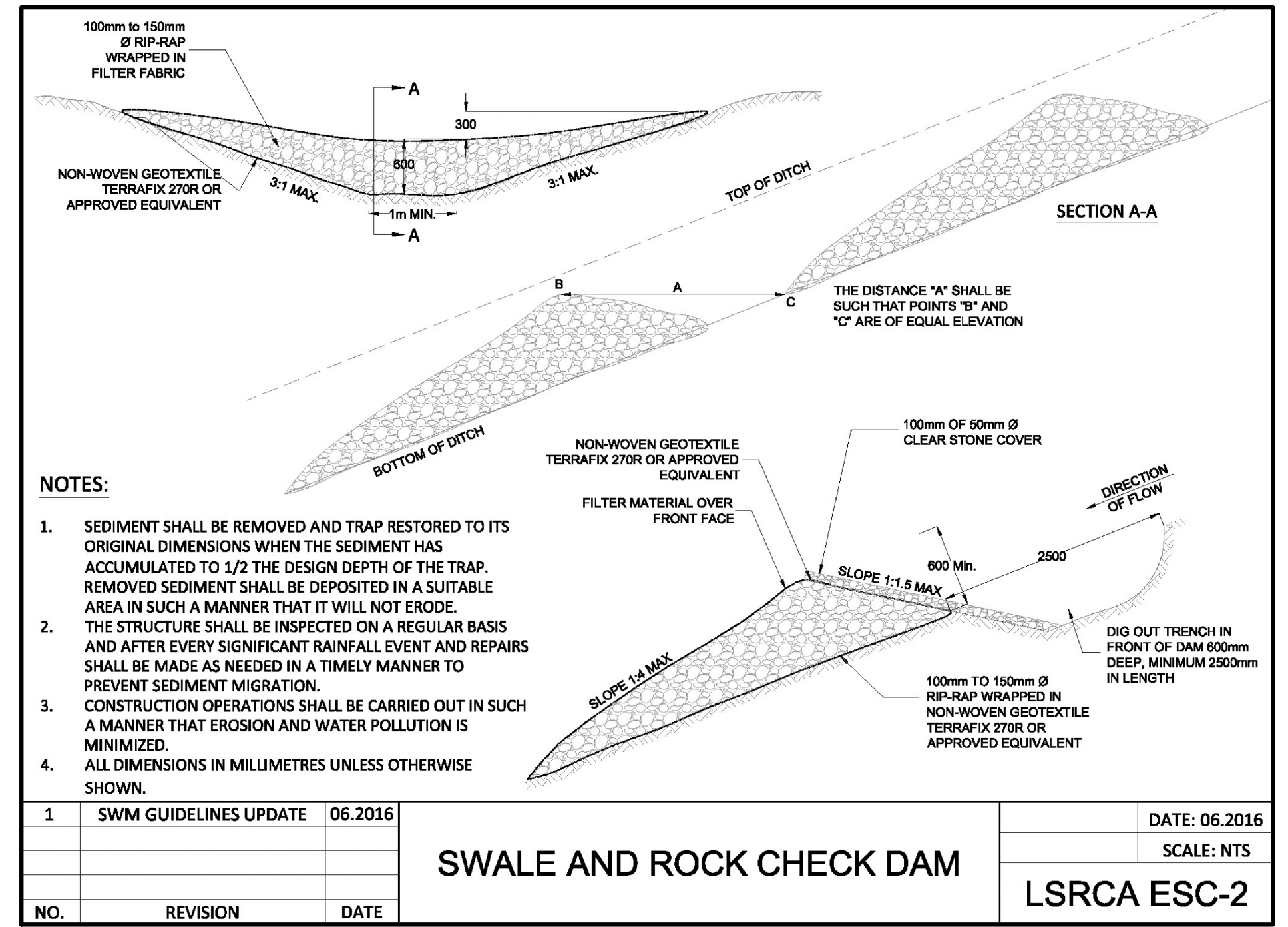


TEMPORARY DOUBLE SEDIMENT FENCE N.T.S.

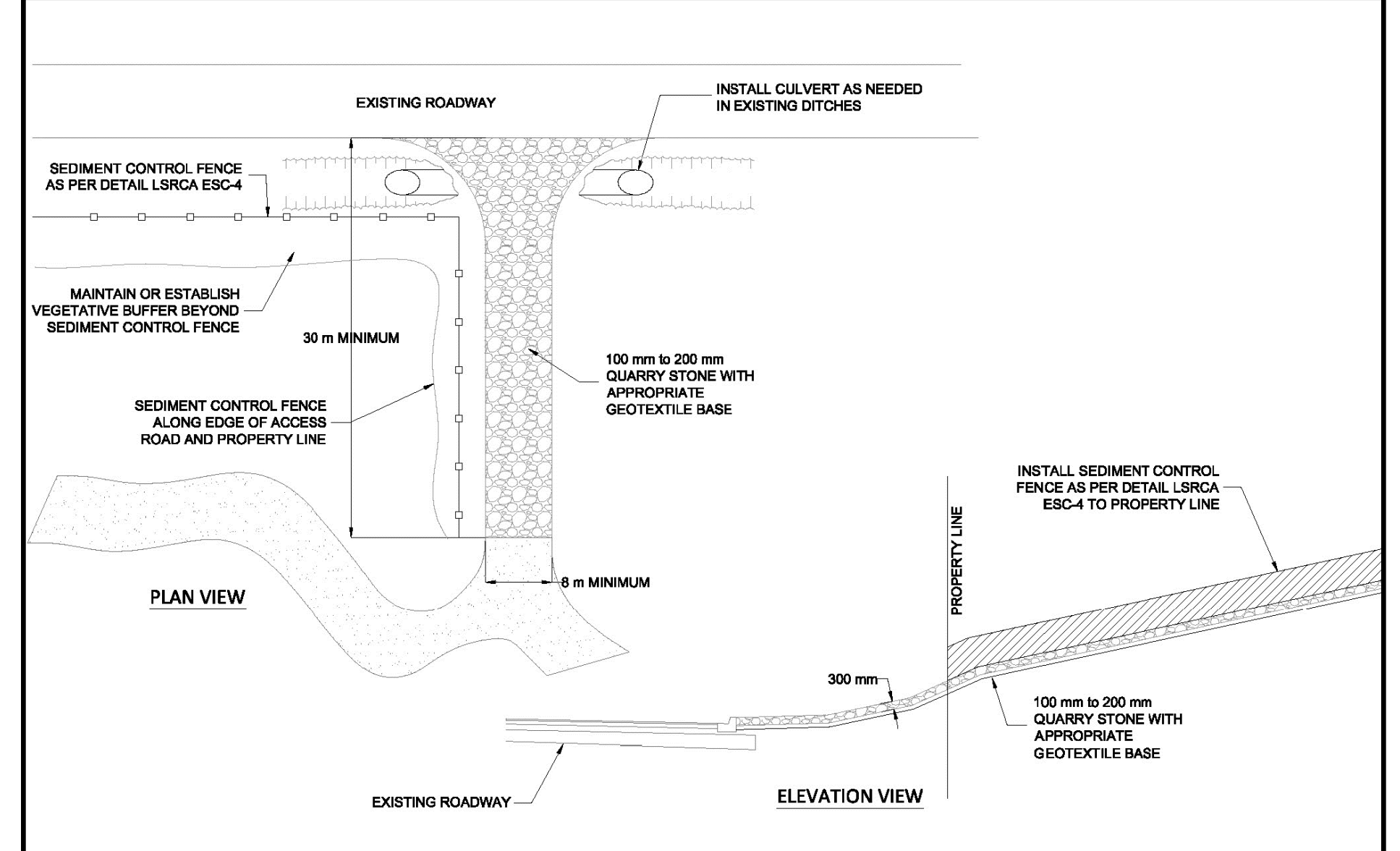
EROSION AND SEDIMENT CONTROL NOTES:

- ALL SEDIMENT CONTROL MEASURES SUCH AS SEDIMENT CONTROL FENCE, TEMPORARY PONDS, CONSTRUCTION ACCESS MATS, SEDIMENT TRAPS, SWALES AND CHECK DAMS MUST BE INSTALLED PRIOR TO THE COMMENCEMENT OF SITE WORKS.
- SEDIMENT CONTROLS SHOULD BE INSPECTED ON A REGULAR BASIS AND AFTER EVERY SIGNIFICANT RAINFALL EVENT. REPAIRS TO ESC MEASURES MUST BE COMPLETED IN A TIMELY MANNER TO PREVENT SEDIMENT MIGRATION.
- ADDITIONAL MATERIALS SUCH AS CLEAR STONE, FILTER FABRIC, PUMPS, HOSES AND SILT SOCKS TO BE KEPT ONSITE AT ALL TIMES FOR CONDUCTING REPAIRS TO SEDIMENT CONTROL MEASURES.
- ALL DISTURBED AREAS LEFT INACTIVE FOR MORE THAN THIRTY DAYS ARE TO BE STABILIZED.
- THE STABILIZATION SEED MIXTURE IS TO BE AS SPECIFIED ON THE EROSION AND SEDIMENT CONTROL PLAN.
- THE STABILIZATION SEED MIXTURE IS TO BE APPLIED AT A MINIMUM RATE OF 25 kg/ha.
- ENGINEERED CHANGES TO THE ESC MEASURES MAY BE NEEDED AS SITE CONDITIONS CHANGE THROUGHOUT THE CONSTRUCTION PROCESS. THESE UPDATES MUST REFLECT BEST MANAGEMENT PRACTICES TO CONTROL SEDIMENT AND EROSION ONSITE AND SHOULD BE COMPLETED BASED ON DIRECTION FROM THE SITE ENGINEER. ADDITIONAL MEASURES MAY BE REQUIRED AS DIRECTED BY AN ENGINEER THROUGHOUT THE CONSTRUCTION PROCESS.
- THE CONSTRUCTION ENTRANCE MAT IS TO BE INSTALLED AS THE FIRST STEP IN THE SITE ALTERATION PROCESS.
- SEDIMENT CONTROL FENCE IS TO BE INSTALLED DOWN-SLOPE OF ALL DISTURBED AREAS. A DOUBLE ROW OF SEDIMENT CONTROL FENCE IS TO BE INSTALLED SURROUNDING ALL NATURAL HERITAGE FEATURES AND AS DIRECTED BY THE SITE ENGINEER. SEDIMENT CONTROL FENCE IS TO BE AS PER LSRCA STANDARD ESC-4 OR ESC-5 AS A MINIMUM. LIGHT DUTY SEDIMENT CONTROL FENCE IS NOT ACCEPTABLE.
- CUT-OFF SWALES OR DITCHES ARE TO BE INSTALLED AS SHOWN ON THE ESC PLANS AND AS NECESSARY BASED ON CHANGING SITE CONDITIONS TO DIRECT OVERLAND FLOW TO THE APPROPRIATE SEDIMENT TRAP OR TEMPORARY SEDIMENT POND.
- CHECK DAMS ARE TO BE INSTALLED IN ALL SWALES AND DITCHES IN ACCORDANCE WITH DRAWING LSRCA ESC-2, AS A MINIMUM.
- TEMPORARY SEDIMENT TRAP(S) ARE TO BE CONSTRUCTED AT THE BEGINNING OF SITE GRADING AND IF THE SITE DRAINAGE CHANGES DURING CONSTRUCTION. IT MAY BE NECESSARY FOR TEMPORARY SWALES TO BE CONSTRUCTED TO DIRECT SITE FLOWS TO THE TEMPORARY SEDIMENT TRAP(S) DURING ROUGH GRADING AND AS CONSTRUCTION PROGRESSES.
- TEMPORARY SEDIMENT POND(S) ARE TO BE CONSTRUCTED AT THE BEGINNING OF SITE GRADING AND IF THE SITE DRAINAGE CHANGES DURING CONSTRUCTION. IT MAY BE NECESSARY FOR TEMPORARY SWALES TO BE CONSTRUCTED TO DIRECT SITE FLOWS TO THE TEMPORARY SEDIMENT POND(S) DURING ROUGH GRADING AND AS CONSTRUCTION PROGRESSES.
- FILTREX SILT SOCK OR APPROVED EQUIVALENT IS TO BE INSTALLED DOWNSTREAM FROM SEDIMENT TRAP AND TEMPORARY SEDIMENT POND OUTLETS TO A MINIMUM HEIGHT OF 300mm.
- IF STOCKPILES ARE USED ON-SITE FOR THE STORAGE OF EXCESS MATERIAL, THEY ARE TO BE IN ACCORDANCE WITH DETAIL DRAWING LSRCA ESC-6 OR BETTER.
- ANY DEWATERING OCCURRING ONSITE MUST BE IN ACCORDANCE WITH AN APPROVED DEWATERING PLAN. ADDITIONAL DEWATERING REQUIREMENTS MAY BE DEEMED NECESSARY AND SHALL BE IMPLEMENTED AS DIRECTED BY THE ENGINEER, CONTRACT ADMINISTRATOR OR LOCAL MUNICIPALITY.
- THE SITE TRAILER IS TO BE LOCATED ONLY AT THE DESIGNATED LOCATION SHOWN ON THE PLANS.
- EQUIPMENT AND HYDROCARBON STORAGE IS TO OCCUR ONLY WITHIN THE DESIGNATED AREA SHOWN ON THE PLANS.
- FUELLING IS TO TAKE PLACE ONLY WITHIN THE DESIGNATED AREA SHOWN ON THE PLANS AND SHALL BE A MINIMUM OF THIRTY METRES FROM ANY WATERCOURSE OR ENVIRONMENTALLY SENSITIVE AREA.
- AN APPROVED SPILLS MANAGEMENT PLAN IS TO BE KEPT ONSITE.
- SPILL CLEANUP EQUIPMENT SUCH AS ABSORBENT MEDIA IS TO BE MAINTAINED ONSITE FOR IMMEDIATE USE IN THE EVENT OF A SPILL.
- SPILLS ARE TO BE REPORTED IMMEDIATELY TO THE MOECC SPILLS ACTION CENTRE AT 1-800-268-6060.
- THE CONTRACTOR WILL BE RESPONSIBLE FOR CLEAN-UP AND RESTORATION, INCLUDING ALL COSTS, DUE TO THE RELEASE OF SEDIMENT FROM THE SITE.
- LOW IMPACT DEVELOPMENT (LID) MEASURES ARE NOT TO BE USED AS SEDIMENT CONTROL DEVICES.
- ADDITIONAL SEDIMENT CONTROL DEVICES MAY BE DEEMED NECESSARY AND AS SITE CONDITIONS CHANGE AND SHALL BE INSTALLED AS DIRECTED BY THE SITE ENGINEER, CONTRACT ADMINISTRATOR OR LOCAL MUNICIPALITY.

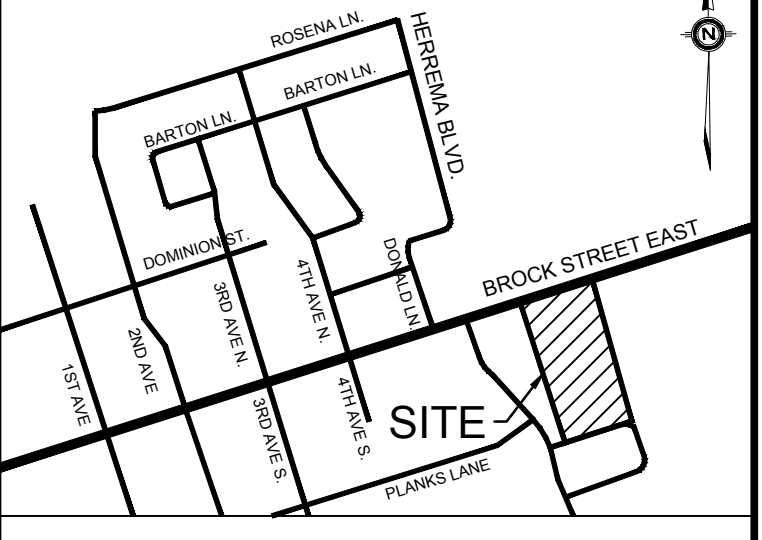
EROSION AND SEDIMENT CONTROL PLAN NOTES LSRCA ESC-1



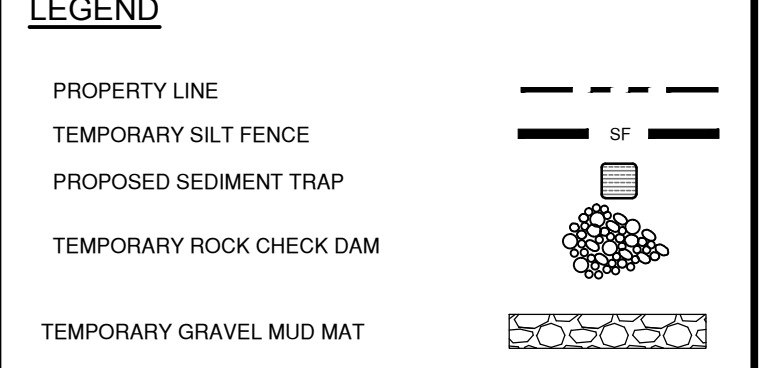
SWALE AND ROCK CHECK DAM LSRCA ESC-2



CONSTRUCTION ACCESS MAT LSRCA ESC-3



LOCATION PLAN N.T.S.



LEGEND

LIST OF DRAWINGS

SG-01 - SITE GRADING PLAN
SS-01 - SITE SERVICING PLAN
XS-01 - CROSS SECTIONS
XS-02 - CROSS SECTIONS
EC-01 - EROSION CONTROL PLAN - PHASE 1
EC-02 - EROSION CONTROL PLAN - PHASE 2
EC-03 - EROSION CONTROL PLAN - PHASE 3
EC-04 - EROSION CONTROL DETAILS
DD-01 - DETAILS
DD-02 - DETAILS

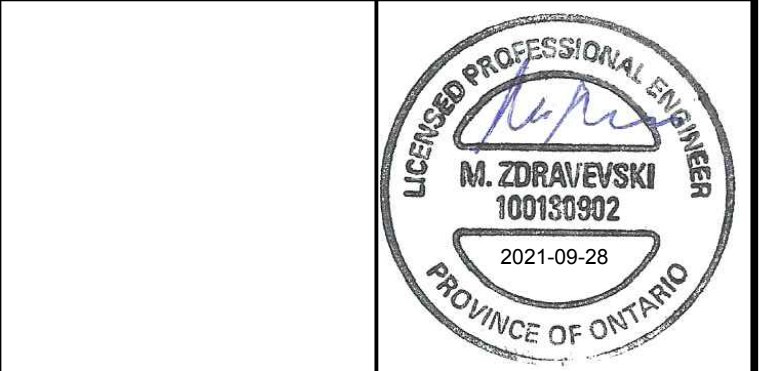
SITE PLAN INFORMATION

ICR ASSOCIATES INCORPORATED
12 SANDBOURNE CRESCENT
TORONTO, ONTARIO L4K 4B5
PHONE: (416) 499-9427
E-MAIL: icr_06a@gmail.com

SURVEYOR INFORMATION

H.F. GRANDER Co. LTD.
1575 HIGHWAY 7A WEST, UNIT 2A
PORT PERRY, ONTARIO L6L 1A6
PHONE: (905) 965-3600
FAX: (905) 965-2347

4	ISSUED FOR SITE PLAN APPROVAL	SEP 28, 2021	LMV
4	ISSUED FOR SITE PLAN APPROVAL	MAR 19, 2021	PS
3	ISSUED FOR ZONING APPROVAL	MAR 15, 2019	LMV
2	ISSUED FOR COORDINATION	SEPT 5, 2018	TVL
1	ISSUED FOR ZONING APPROVAL	AUG 10, 2018	LMV



TOWN OF UXBRIDGE
REGION OF DURHAM

WESTLANE DEVELOPMENT GROUP LTD.
SOUTH BROCK STREET DEVELOPMENT
UXBRIDGE, ONTARIO

EROSION CONTROL DETAILS

IBI GROUP
Unit 300 - 8133 Warden Avenue
Markham ON L6G 1B3 Canada
tel 905 763 2322 fax 905 763 9983
ibigroup.com

DESIGNED BY:	LMV	DATE:	JUNE 2018	CHECKED BY:	JL
DRAWN BY:	LMV	PROJECT No.:	2018-0302	DRAWING No.:	EC-04
SCALE:	NTS				